



PRODUCT DATASHEET

Confidex Captura

CONTENTS

1. PRODUCT DESCRIPTION	2
1.1 SPECIFICATION DATA.....	2
1.2 DIMENSIONS	2
1.3 ELECTRICAL PERFORMANCE.....	3
1.4 RESISTANCE AGAINST ENVIRONMENTAL CONDITIONS*	3
1.5 SUPPORTING COMPONENTS.....	4
1.6 SUPPORTED SERVICES	4
1.7 POSSIBLE APPLICATIONS.....	4
2. INSTALLATION INSTRUCTIONS.....	4
2.1 TAG PLACEMENT	4
2.2 TAG FIXING METHODS	4
3. ORDER INFORMATION	5

1. PRODUCT DESCRIPTION

Confidex Captura, the newest member of the Confidex Class 1 Gen 2 tag portfolio steps into an unprecedented level in both C1G2 tag security and usability. The tag comes with both mechanical and electrical seal functions and is extremely easy and fast to attach. As there is no need for adhesives, screws or other fixing tools, it is simple to calculate the total cost of ownership for Captura. Just click, secure and tag your asset!

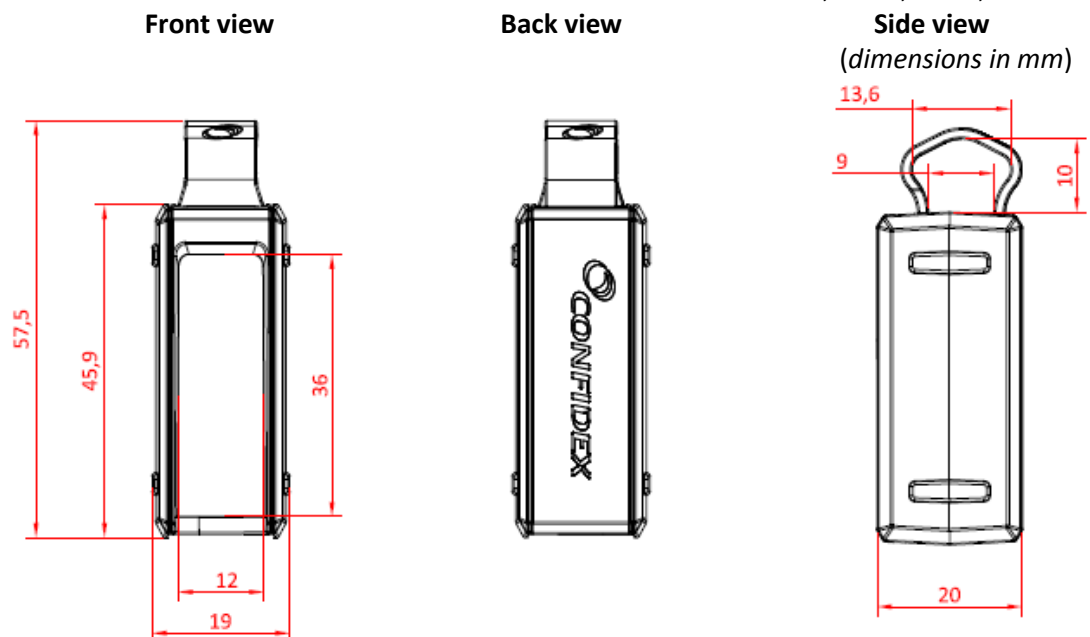
1.1 SPECIFICATION DATA

Device type	Class 1 Generation 2 passive UHF RFID transponder
Air interface protocol	EPC Global Class1 Gen2 ISO 18000-6C
Operational frequency	865-928MHz
IC options	NXP UCODE G2XM
EPC memory	up to 240 bit
EPC memory content	Unique EPC number encoded by default
Extended memory	512 bit
Read range	Tag is readable in 3m / 9.8ft RFID portal. Tag performance depends on the tagged object.
Applicable surface materials	Metal surfaces
Encapsulation material	Impact resistant plastics
Color	Pantone 433U
Delivery format	Single
Product is RoHS compliant	

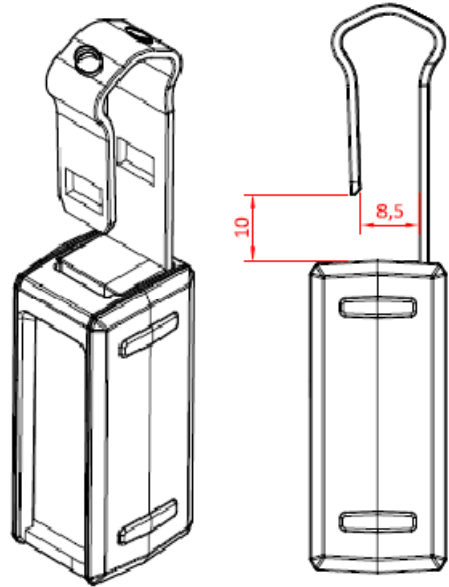
1.2 DIMENSIONS

**General dimensions
(Height x Width x
Thickness)**

57,5 x 19 x 20 mm
2,26 x 0,75 x 0,79 inch



Tag delivery format (dimensions in mm)



1.3 ELECTRICAL PERFORMANCE

<p>Read range on-metal (2W ERP)</p>	<p>Depending on the tagged object, the tag is well readable in a typical, 3 meters (9,8ft) wide RFID gate</p>
--	---

1.4 RESISTANCE AGAINST ENVIRONMENTAL CONDITIONS*

Typically values are valid for all tag versions. If not, applicable IC versions are marked

<p>Operating temperature</p>	<p>-30°C to +70°C / -22°F to +158°F</p>
<p>Ambient temperature</p>	<p>-30°C to +70°C / -22°F to +158°F</p>
<p>IP classification</p>	<p>IP67: - Complete protection against dust - Protection against temporary immersion in water</p>
<p>Weather ability</p>	<p>Good, incl. UV-resistance and sea water</p>
<p>Expected lifetime</p>	<p>Years in normal operating conditions</p>

* Values in the table are the best recommendations; resistance against environmental conditions depends on the combination of all influencing factors, exposure duration and chemical concentrations. Thus, product's final suitability for certain environmental conditions is recommended to be tested. Contact Confidex for more specific information.

1.5 SUPPORTING COMPONENTS

No supporting components. Confidex Captura can be attached without additional tools, screws, rivets or adhesives.

1.6 SUPPORTED SERVICES

There are several personalization options available for Confidex Captura in order to “fine tune” the tag to match with the application requirements:

- Pre-encoding
- Customized data label

1.7 POSSIBLE APPLICATIONS

Metal surfaces

Metal returnable transit items, metal containers and any metal items that can place the tag’s metal hook. Automotive, logistics and retail supply chain applications.

2. INSTALLATION INSTRUCTIONS

2.1 TAG PLACEMENT

Confidex Captura’s patent pending design exploits the tagged object’s metal for its performance.

- Tag is delivered so that its hook is open
- Tag can be installed on any structure that structure has a metal part for fixing the tag’s hook.
- Select a location that has the most metal in the tag surroundings; by that way, tag’s performance is maximized.

2.2 TAG FIXING METHODS

Mechanical fixing

Captura can be fixed only mechanically:

- 1) Take the tag out from the box; its metal hook is open.
- 2) Select the tag’s location on the returnable transit item, insert the tagged objects metal part inside the hook
- 3) Close the hook by pressing it firmly. Tag is now ready to be used.