

Mounting Kit for Outdoor Antenna

Order Number: 00346

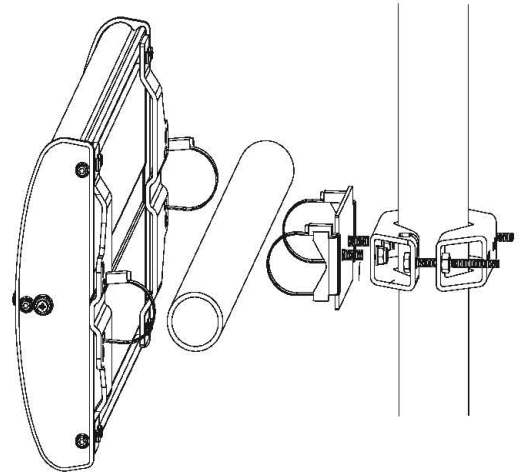
KATHREIN
Antennen · Electronic

- The Mounting kit is used to horizontally mount Kathrein RFID antennas to 2 – 4.5 inch (50 – 115 mm) mounting structures.
- The Mounting kit is made of stainless steel and hot-dip galvanized steel. Fasteners are stainless steel.

Order Information

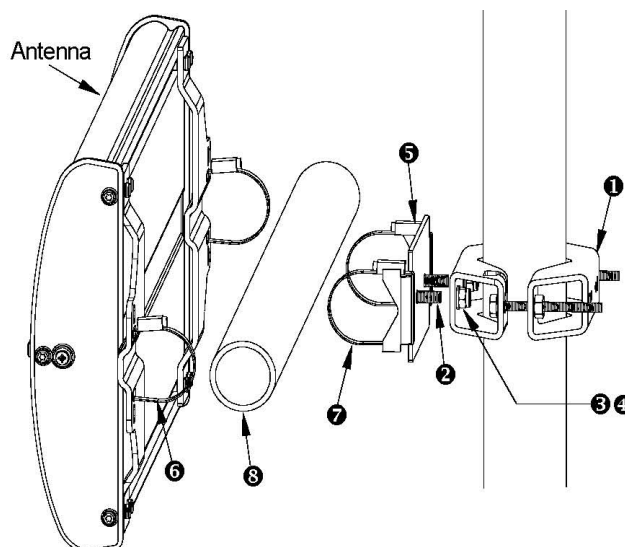
Model	Description
00346	Mounting kit for Outdoor Antenna

Item	Quantity	Description
1	1	Mounting Braket
2	2	Hex Head Cap Screw, M8 x 20 mm
3	2	Flat Washer, 8 mm
4	2	Hex Nut, M8
5	1	Mounting Plate
6	1	2-Clamp Kit (supplied with Kathrein RFID Outdoor Antennas)
7	1	2-Clamp Kit
8	1	Pipe (not included in this kit!)



Assembly

1. Attach pipe (8) to antenna using mounting clamps (50 – 145 mm) (6). Torque to 55 lbf-in (6.2 Nm).
2. Attach mounting plate (5) to mounting bracket (1) using hardware (2), (3) and (4) making sure the longer bolts are pointing away from the mounting plate as shown. Torque to 168 lbf-in (19 Nm).
3. Attach mounting plate (5) to pipe (8) using two (50 – 145 mm) clamps. Torque to 55 lbf-in (6.2 Nm).
4. Install the completed assembly onto mast. Torque to 168 lbf-in (19 Nm).
5. If necessary, loosen clamps to adjust antenna tilt.



- 1 Mounting bracket (Mast clamp)
- 2 Screw
- 3 Washer
- 4 Nut
- 5 Mounting plate
- 6 Mounting clamp
- 7 Mounting clamp
- 8 Pipe

