

PROMAG[®]

SmaFinger[®]

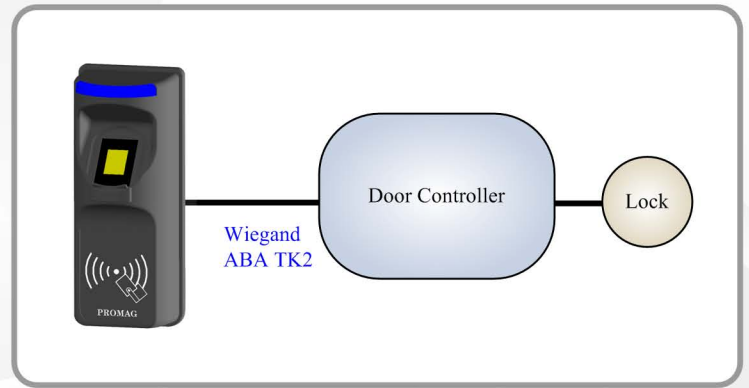
Contactless Smart Card & Fingerprint Reader



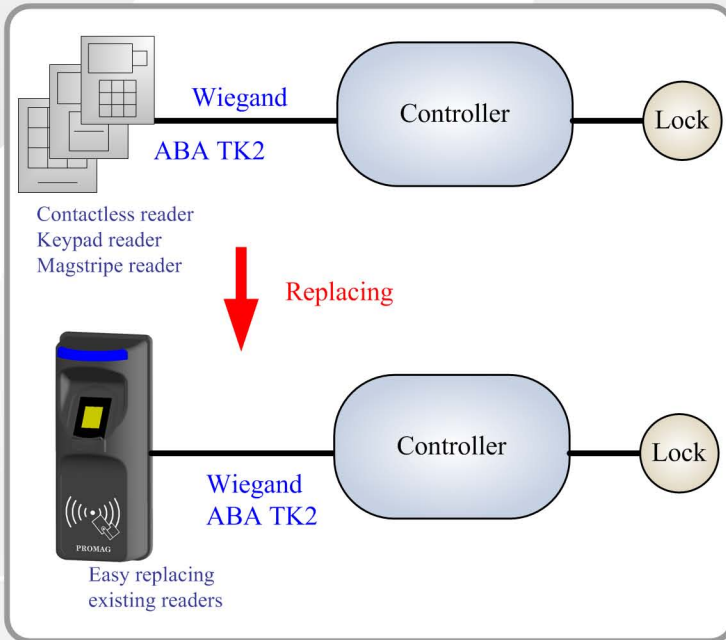
Seamless Upgrade

SmaFinger[®]

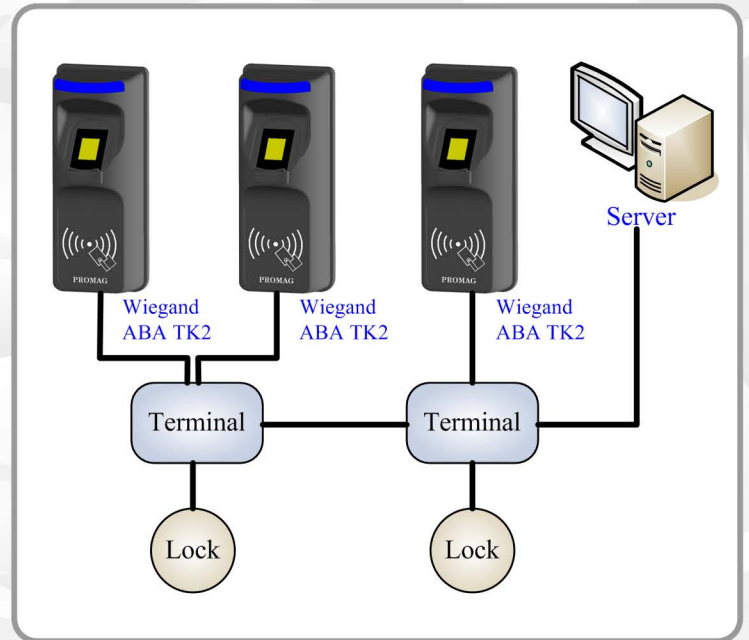
Configuration



Standalone

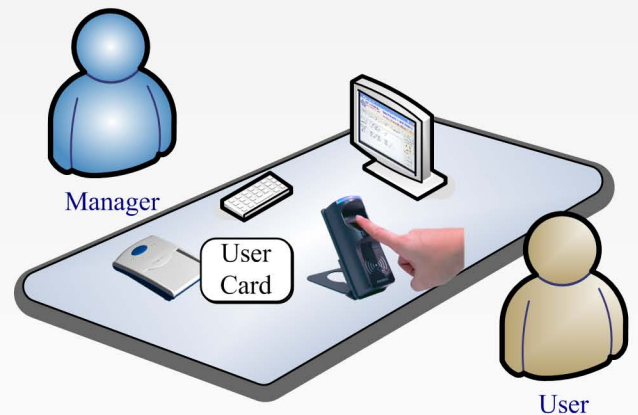


Replacing Existing Reader



Network

Usage



Enrollment



Biometrics



Standalone

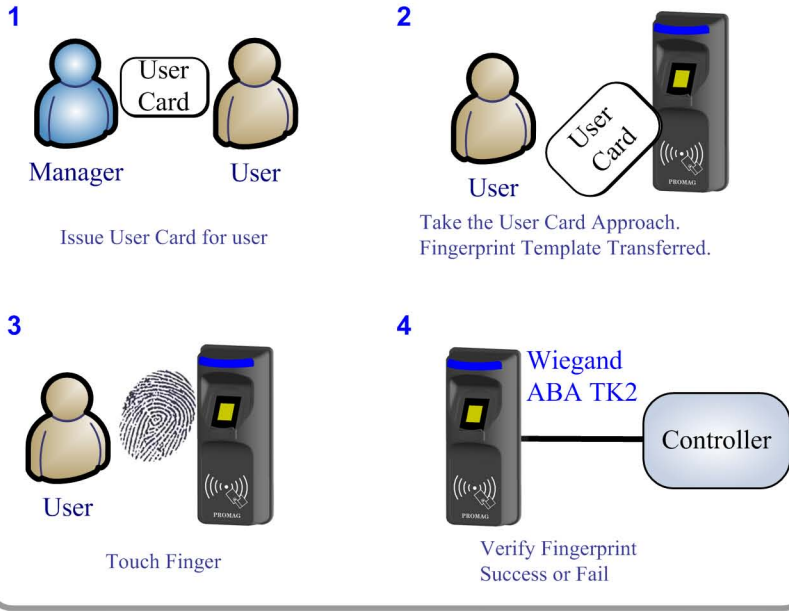


Security

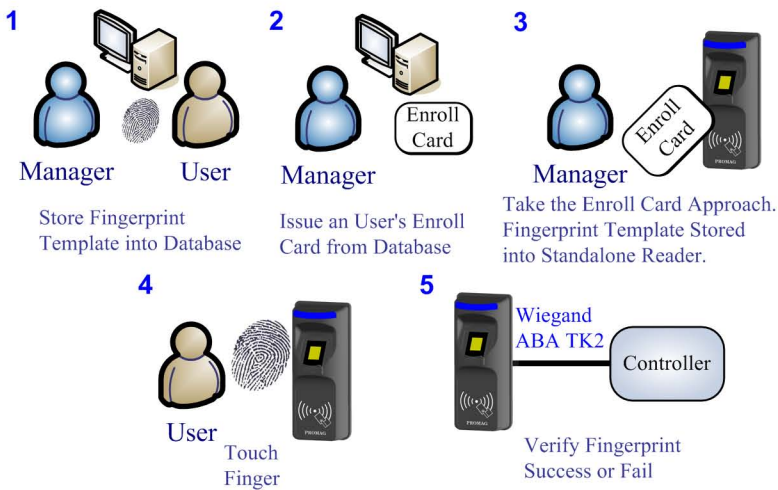


Easy Replacing

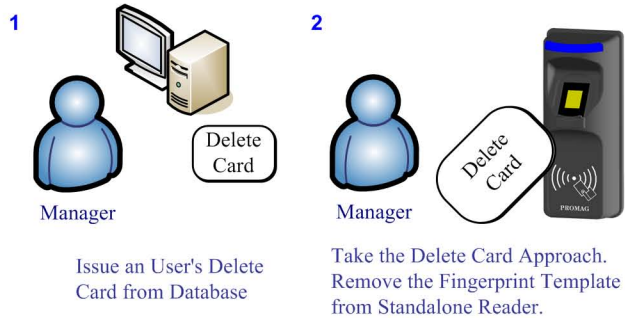
Usage for Card + Finger



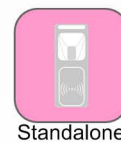
Usage for Finger Only and Add User



Delete User



Biometrics



Standalone



Security



Easy Replacing



SmaFinger is a fingerprint reader developed on the so-called contactless smart card 13.56 Mhz RFID technology. The integration of biometric technology by fingerprint identification and 13.56Mhz RFID technology makes SmaFinger be capable of biometric and contactless performance without spending large amount of expenses in running system upgrading with fingerprint system extension. On the aspect of personal privacy issue, SmaFinger provides the high secure of protection on privacy concern because every fingerprint is stored on a card. Also the reader itself supports Mifare MAD1/MAD2 format to make user end be able to issue their customized ID cards.

Three Access Modes

- * Card Only
- * Card + Fingerprint
- * Fingerprint only

Mode of Fingerprint only is also able to access functions of card enrollment and deletion. No need to apply extra on-line system or equipment to build up the fingerprint database.

Applications

- * Time attendance.
- * Access control and Hotel locker management.
- * Credit card or card cash.
- * Membership card.
- * Drive license or personal ID identification.
- * Log in system.
- * Wiegand devices or ABA-TK2 compatible.

Keynotes

High secure of protection for loss of ID card (Unduplicated).
 Card + Fingerprint supports limitless fingerprint capacity.
 Featuring 3 interfaces in one devices - Wiegand, RS232 and ABA-TK2.
 Low risk of privacy intrusion
 Supports Mifare MAD 1/MAD 2 format, available for customized definitions and card issuing.

SmaFinger	Model No.	SF500	SF600	
	Application	Standalone Mifare Sector Reader		
Access Mode	Card Only	Supported		
	Card + Fingerprint	Enroll Mode	No Need	
		Fingerprint Capacity	Unlimited	
		Fingerprint Validation	1:1	
		Performance	Security	
	Fingerprint Only	Enroll Mode	RS232 or Enroll Card	
		Fingerprint Capacity	10	1900
		Fingerprint Validation	1:10	1:N
		Performance	Friendly	
	Mifare Card	Max Fingerprint Template Capacity	2	
Mifare Card Type		1K /4K		
Card Format		For MAD1/MAD2 Only		
Reader	Configurable Interface	RS232 : 2400~57600 bps Wiegand: 26~128 bits ABA-TK2: 2~24 Digital Codes		
	Identification speed	<2 sec (1:1)	<1 sec (1:1)	
		<5 sec (1:10)	<3 sec (1:N)	
	Mifare Read Distance	Max. 50mm		
Power Consumption	Max. 200mA @ DC12V			