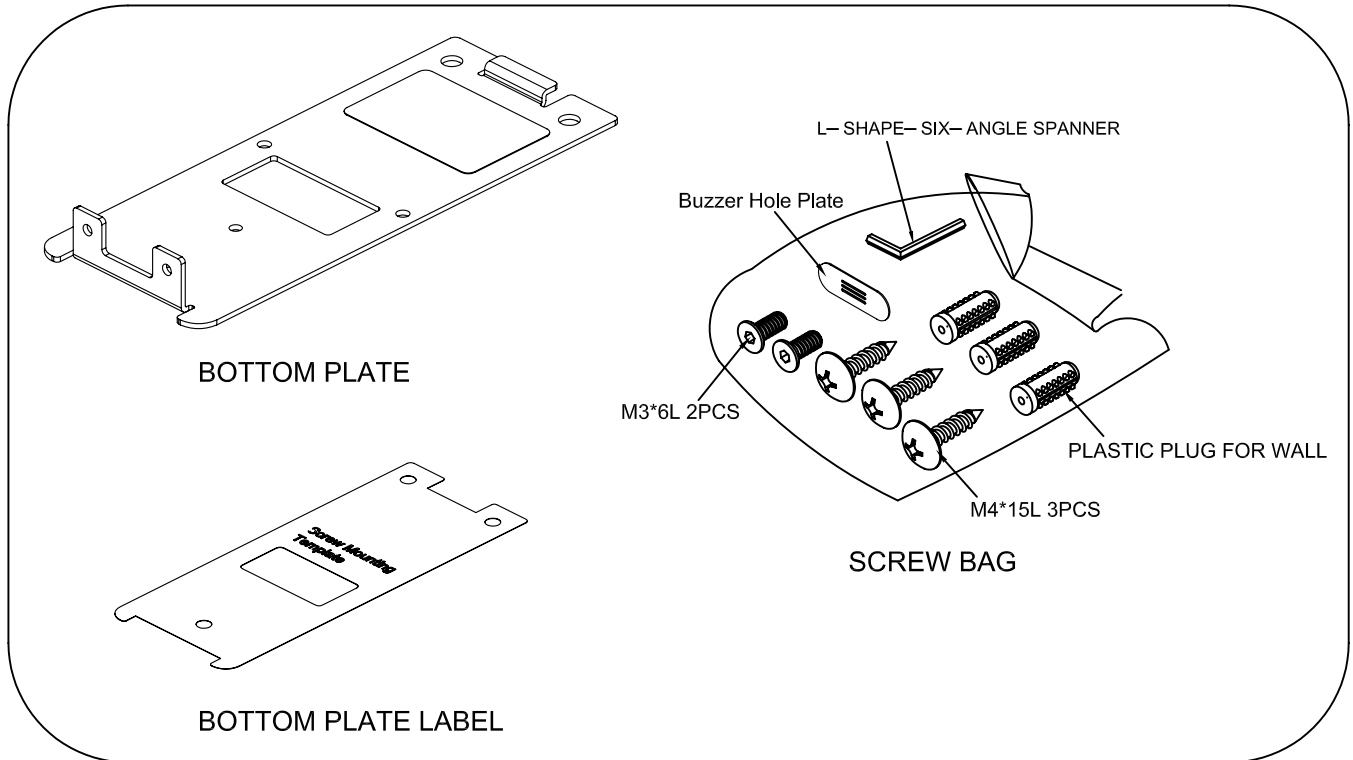


Installation Manual

Required Items



Secure Mounting Installation

1. Attach the bottom plate label on the target position. Drill the holes to match the bottom plate then fix SmaFinger reader.
2. After fixing SmaFinger with attached screws (using the L-shape spanner), apply screw cover plate for completion

